



## SmartBright Downlight

### Trusted performance, everyday

The new Philips SmartBright downlight offers an exceptional value, CCT selector and dimming solution. Available in four sizes to suit a wide variety of standard applications. This is a real professional choose for everyday lighting installations

### Features and benefits

- Wide range of lumens - 800/1000/1200/2000lm
- 4 cut out sizes available – D90/D120/D150/D200
- 3 Colour temperatures settings –one device for many applications
- Energy efficient –  $>105\text{lm/W}$
- Dimmable – Trailing/leading edge
- IP54 – Suitable for bathroom, under eaves/canopy areas

### Applications

- All indoor ceiling installations
- Commercial and retail building environments
- Shopping centers, restaurant, bathroom, etc.

### Product highlights

- Tri – color and dimmable
- 30,000hours lifetime/ 2 year warranty
- Pre – wired with plug
- IP54 for the front cover

**PHILIPS**

## SmartBright Downlight – DN029B G2

### Specifications

	DN029B G2 LED8 D90	DN029B G2 LED10 D120	DN029B G2 LED12 D150	DN029B G2 LED20 D200
<b>Cut out size</b>	D90	D120	D150	D200
<b>Power</b>	7.5W	9W	10.5W	18W
<b>System lumens</b>	800lm	1000lm	1200lm	2000lm
<b>System efficacy</b>	> 105lm/W			
<b>CCT (Selectable)</b>	3000K / 4000K / 6500K			
<b>CRI</b>	>80			
<b>Beam angle</b>	100°			
<b>IP / IK rating</b>	IP54 (front cover) / IK03			
<b>Operating temperature</b>	-20°C < Ta < +40°C			
<b>IC rating</b>	IC – 4			
<b>Input Voltage</b>	220-240V~ 50/60Hz			
<b>Power factor</b>	> 0.8			
<b>Driver</b>	Dimmable			
<b>Lifetime</b>	30,000hours L70B50 @Ta 25°C			
<b>Mounting type.</b>	Recessed ceiling			
<b>Flex &amp; Plug (AU version)</b>	80cm			

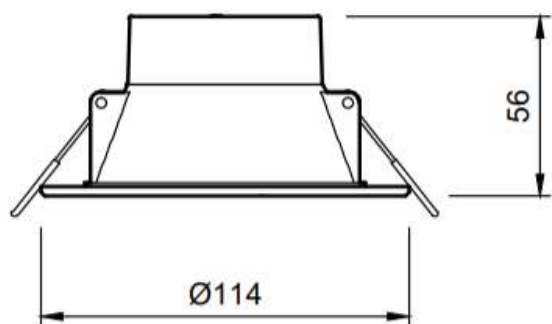
### Order information

12NC	Description
929002576408	DN029B G2 LED8/CCT PSR-E D90 GM
929002576508	DN029B G2 LED10/CCT PSR-E D120 GM
929002576608	DN029B G2 LED12/CCT PSR-E D150 GM
929002576708	DN029B G2 LED20/CCT PSR-E D200 GM

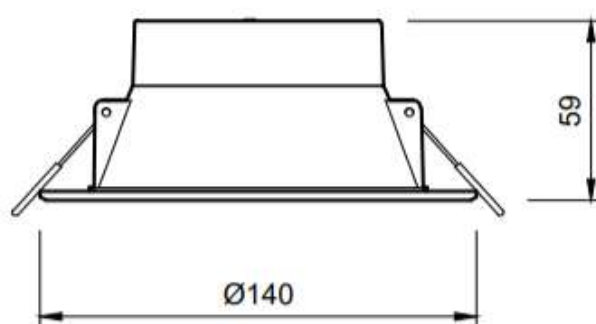
# SmartBright Downlight – DN029B G2

## Dimensional Drawings

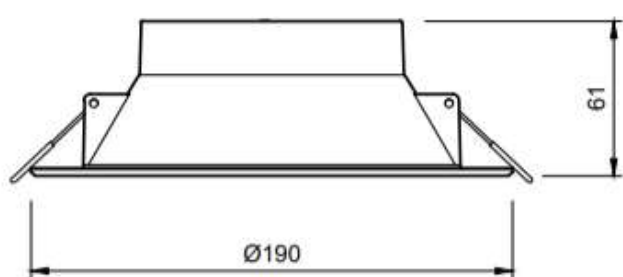
(units: mm)



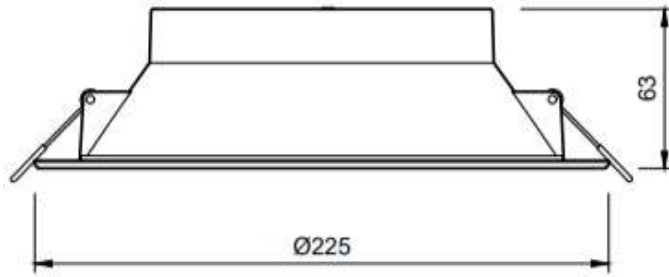
**D90 LED8**



**D120 LED10**



**D150 LED12**



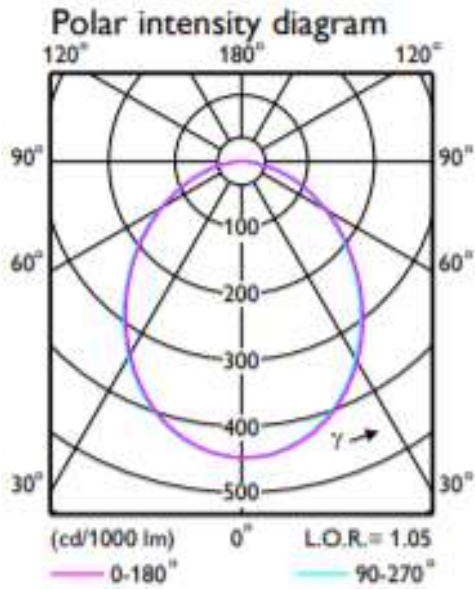
**D200 LED20**

## Product information

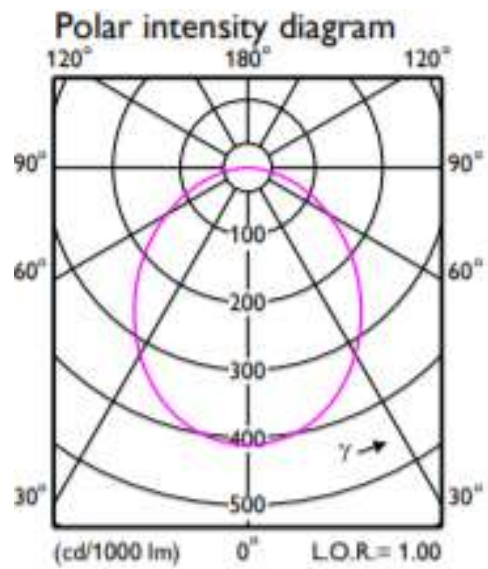
12NC	Description	Weights (Kg)	Barcodes
929002576408	DN029B G2 LED8/CCT PSR-E D90 GM	0.23	8719514273566
929002576508	DN029B G2 LED10/CCT PSR-E D120 GM	0.31	8719514273580
929002576608	DN029B G2 LED12/CCT PSR-E D150 GM	0.42	8719514273603
929002576708	DN029B G2 LED20/CCT PSR-E D200 GM	0.58	8719514273627

# SmartBright Downlight – DN029B G2

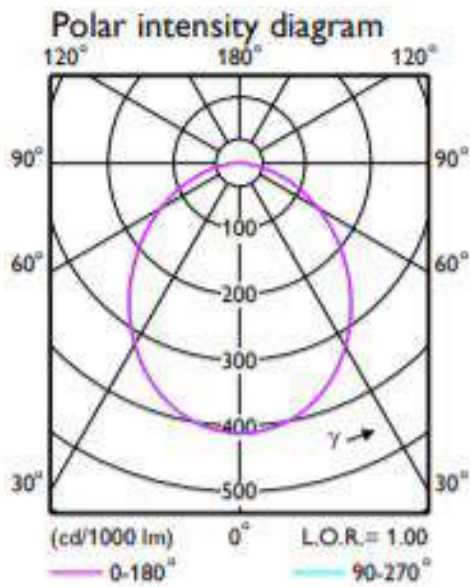
## Photometric



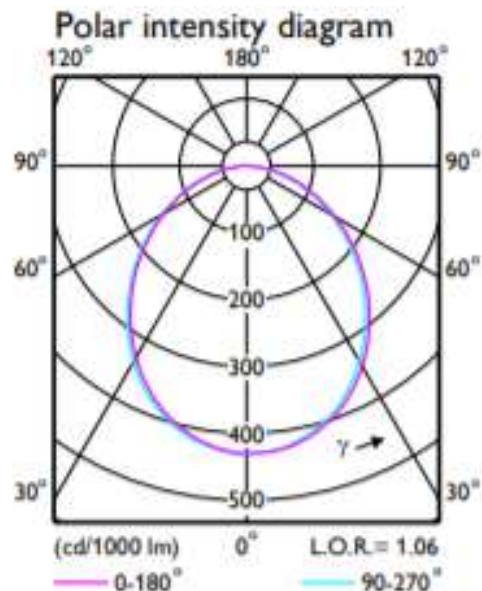
**D90 LED8**



**D120 LED10**



**D150 LED12**



**D200 LED20**



**Lim Kim Hai Electric Co (S) Pte Ltd**  
Lim Kim Hai Building,  
53 Kallang Place, Singapore 339177  
T (+65) 6292 3711 • (+65) 6490 5000  
F (+65) 6297 0078  
E customerservice@limkimhai.com.sg  
W www.limkimhai.com.sg