

HLL LED metallic linear light fitting
for harsh & hazardous areas



Powering Business Worldwide

HLL-2-3L / HLL-4-5L / HLL-2-3L-D-EM / HLL-4-5L-D-EM linear light fittings

(Zone 1, 2, 21 und 22)



A robust solution for lighting applications in hazardous areas

Eaton's Crouse-Hinds series HLL linear LED light fitting is constructed with an aluminium housing and high-impact resistant polycarbonate cover, providing extreme durability and reliability in Zone 1, 2, 21 and 22 hazardous areas.

The use of high-quality LED chips, coupled with our extensive experience in thermal management of electrical components in hazardous areas, ensures long service life of the HLL series. The extended temperature range of -40 °C to +55 °C allows these luminaires to be used in a wide range of ambient conditions where an explosive atmosphere is to be expected.

With its long service life, low maintenance requirements and low energy consumption, the HLL provides superior performance with a competitive payback versus traditional fluorescent fixtures. The luminaire series is also available as a single-battery emergency light fitting HLL-EM for ambient temperatures from -25 °C to +55 °C.

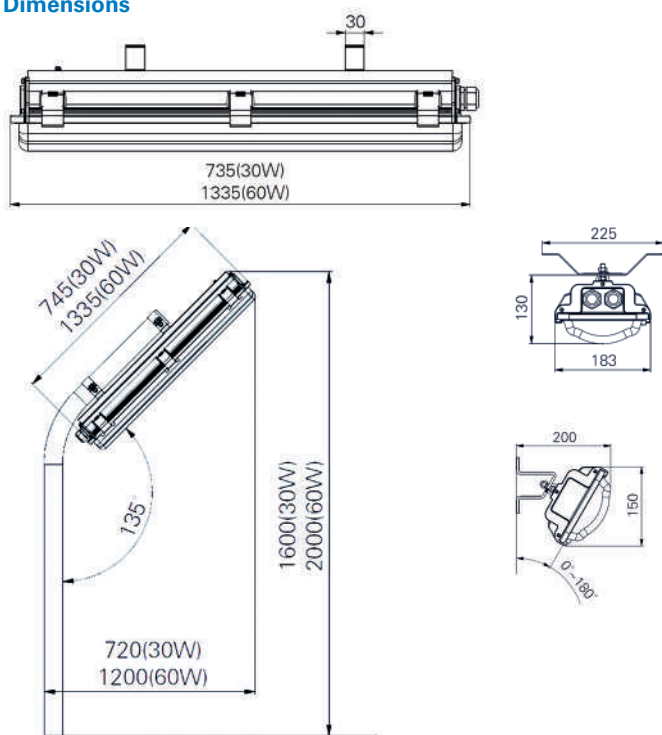
Primary Applications

Designed for use in outdoor and indoor hazardous areas where moisture or corrosion may be a problem, such as offshore oil platforms, pharmaceutical and chemical plants, oil refineries and industrial locations.

Design Features

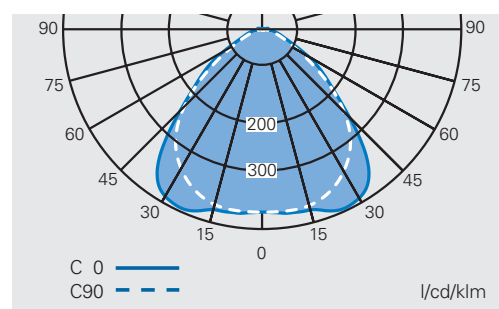
- Polycarbonate, 4J impact resistant lens
- Copper free aluminum housing for excellent corrosion resistance and heat transfer properties
- IP66 rating
- Suitable for Zone 1, 2, 21 and 22 hazardous areas
- Highest temperature class T6
- Ex-e technology for easy maintenance
- Operating ambient temperature: -40 °C (HLL-EM: -25 °C) up to +55 °C

Dimensions

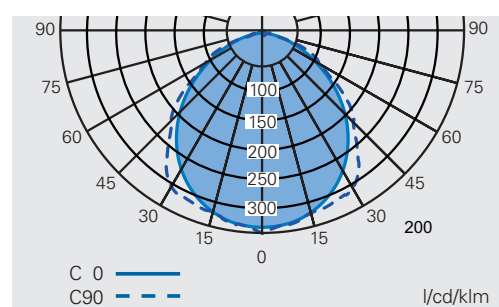


Polar curve

HLL-2/HLL-2-EM



HLL-4/HLL4_EM



Technical data

HLL linear LED



Certifications and compliances HLL-2-3L-D

EC-Type Examination Certificate	CML 17ATEX3305X	CML 17ATEX3305X
IECEX Certificate of Conformity	IECEX NEP 19.0003X	IECEX NEP 19.0003X
Cert. acc. TR CU 012/2011 EAC ¹⁾	KZ.7500361.22.01.03210	KZ.7500361.22.01.03210
Marking accd. to 2014/34/EU (with safety switch)	Ⓜ II 2 G Ex db eb ib mb op is IIC T6 Gb Ⓜ II 2 D Ex tb op is IIIC T80 °C Db	Ⓜ II 2 G Ex db eb ib mb op is IIC T6 Gb Ⓜ II 2 D Ex tb op is IIIC T80 °C Db
Marking accd. to IECEx (with safety switch)	Ex db eb ib mb IIC T6 Gb Ex tb IIIC T80 °C Db	Ex db eb ib mb IIC T6 Gb Ex tb IIIC T80 °C Db
Permissible ambient temperature	-40 °C up to +55 °C	-40 °C up to +55 °C
Degree of protection accd. to EN 60529	IP66	IP66

Certifications and compliances HLL-4-5L-D

LED System

Life expectancy LED module	L70 = 110,000 h at ta=25°C	L70 = 110,000 h at ta=25°C
CRI	> 70	> 70
Rated luminous flux of the luminaire (typical, ± 10 %)	2800 lm	5700 lm
Illuminance at measurement plane	comparable with luminaires for fluorescent lamps	comparable with luminaires for fluorescent lamps
Lamp/illuminant	30 W	60 W
Light colour	5700 K	5700 K

Electrical Ratings

Rated voltage	110 V - 240 V AC 108 V - 250 V DC	110 V - 240 V AC 108 V - 250 V DC
Power consumption	30 W	60 W
Frequency	50 - 60 Hz	50 - 60 Hz
Power factor cos φ	≥ 0.9	≥ 0.9
Circuit	EVG	EVG
Protection class	I	I
Connecting terminals	L1, L2, L3, L, N, PE; max. 2 x 6 mm ² per terminal	L1, L2, L3, L, N, PE; max. 2 x 6 mm ² per terminal

Fixture specifications

Dimensions (L x W x H)	735 x 183 x 130 mm	1335 x 183 x 130 mm
Weight	5 kg	10 kg
Enclosure material	Copper-free Aluminium	Copper-free Aluminium
Enclosure colour	Natural Aluminium / grey	Natural Aluminium / grey
Protective cover / protective bowl	Polycarbonate	Polycarbonate
Degree of protection accd. to EN 60529	IP66	IP66
Cable glands / gland plates / enclosure drilling	M25 x 1.5 thread ²⁾	M25 x 1.5 thread ²⁾

¹⁾ Please ask our sales representatives for the special order number

²⁾ With dustcover if entry/thread is not closed

Delivery without fixing material and cable glands

Mounting accessories see Main catalogue Part 1 Capt. 2.16.

Cable glands see Main catalogue Part 2 Capt. 2.3



Certifications and compliances **HLL-2-3L-D-EM1**

EC-Type Examination Certificate	CML 17ATEX3305X	CML 17ATEX3305X
IECEX Certificate of Conformity	IECEX NEP 19.0003X	IECEX NEP 19.0003X
Cert. acc. TR CU 012/2011 EAC ¹⁾	KZ.7500361.22.01.03210	KZ.7500361.22.01.03210
Marking accd. to 2014/34/EU (with safety switch)	⊕ II 2 G Ex db eb ib mb op is IIC T6 Gb ⊕ II 2 D Ex tb op is IIIC T80 °C Db	⊕ II 2 G Ex db eb ib mb op is IIC T6 Gb ⊕ II 2 D Ex tb op is IIIC T80 °C Db
Marking accd. to IECEX (with safety switch)	Ex db eb ib mb IIC T6 Gb Ex tb IIIC T80 °C Db	Ex db eb ib mb IIC T6 Gb Ex tb IIIC T80 °C Db
Permissible ambient temperature	-25 °C up to +55 °C	-25 °C up to +55 °C
Degree of protection accd. to EN 60529	IP66	IP66

HLL-4-5L-D-EM1

LED System

Life expectancy LED module	L70 = 110,000 h at ta=25°C	L70 = 110,000 h at ta=25°C
CRI	> 70	> 70
Rated luminous flux of the luminaire (typical, ± 10 %)	2800 lm	5700 lm
Luminous flux in emergency operation 25%	700 lm	1425 lm
Illuminance at measurement plane	comparable with luminaires for fluorescent lamps	comparable with luminaires for fluorescent lamps
Lamp/illuminant	30 W	60 W
Light colour	5700 K	5700 K

Electrical Ratings

Rated voltage	110 V - 240 V AC 108 V - 250 V DC	110 V - 240 V AC 108 V - 250 V DC
Power consumption	30 W	60 W
Frequency	50 - 60 Hz	50 - 60 Hz
Power factor cos φ	≥ 0.9	≥ 0.9
Circuit	EVG	EVG
Battery type	Ni-Cd 3 Ah	Ni-Cd 6 Ah
Rated emergency lighting duration	1,5 h (3h on request)	1,5 h (3h on request)
Protection class	I	I
Connecting terminals	L1, L2, L3, L, N, PE; max. 2 x 6 mm ² per terminal	L1, L2, L3, L, N, PE; max. 2 x 6 mm ² per terminal

Fixture specifications

Dimensions (L x W x H)	735 x 183 x 130 mm	1335 x 183 x 130 mm
Weight	5 kg	10 kg
Enclosure material	Copper-free Aluminium	Copper-free Aluminium
Enclosure colour	Natural Aluminium / grey	Natural Aluminium / grey
Protective cover / protective bowl	Polycarbonate	Polycarbonate
Degree of protection accd. to EN 60529	IP66	IP66
Cable glands / gland plates / enclosure drilling	M25 x 1.5 thread ²⁾	M25 x 1.5 thread ²⁾

¹⁾ Please ask our sales representatives for the special order number

²⁾ With dustcover if entry/thread is not closed

Delivery without fixing material and cable glands

Mounting accessories see Main catalogue Part 1 Capt. 2.16.

Cable glands see Main catalogue Part 2 Capt. 2.3

Ordering details

HLL linear LED



Ordering details

HLL-2-3L-D

HLL-4-5L-D

Type	Through wiring		Cable glands/threads	Order-No.
	single sided	twin sided		
HLL				
HLL-2-3L-D-1/6-225	X		2 x M25	CCL1622403UA
HLL-2-3L-D-2/6-225		X	2-2 x M25	CCL1622419UA
HLL-4-5L-D-1/6-225	X		2 x M25	CCL1622787UA
HLL-4-5L-D-2/6-225		X	2-2 x M25	CCL1622803UA

Ordering details

HLL-2-3L-D-EM1

HLL-4-5L-D-EM1

Type	Through wiring		Cable glands/threads	Order-No.
	single sided	twin sided		
HLL				
HLL-2-3L-D-EM1-1/6-225	X		2 x M25	CCL1622435UA
HLL-2-3L-D-EM1-2/6-225		X	2-2 x M25	CCL1622451UA
HLL-4-5L-D-EM1-1/6-225	X		2 x M25	CCL1622819UA
HLL-4-5L-D-EM1-2/6-225		X	2-2 x M25	CCL1622835UA



Eaton's Crouse-Hinds Business

The safety you rely on.

See the complete offering of Hazardous and Industrial Products at www.crouse-hinds.de.

**U.S. (Global Headquarters):
Eaton's Crouse-Hinds
Business**

1201 Wolf Street
Syracuse, NY 13208

(866) 764-5454
FAX: (315) 477-5179
FAX Orders Only:
(866) 653-0640

CrouseCustomerCTR@Eaton.com

For more information:

If further assistance is required, please contact an authorized Eaton Distributor, Sales Office, or Customer Service Department.

Australia

Phone +61-2-8787-2777
Fax +61-2-9609-2342
crousehindsanz@eaton.com

China

Phone +86-21-2899-3600
Fax +86-21-2899-4055
ECHsales@eaton.com

Great Britain

Phone +44-247-630-89 30
Fax +44-247-630-10 27
sales5@eaton.com

India

Phone +91-124-4683888
Fax +91-124-4683899
cchindia@eaton.com

Canada

Toll Free +1-800-265-0502
Fax +1-800-263-9504
Fax orders only:
+1-866-653-0645

Korea

Phone +82-2-3484-6783
Fax +82-2-3484-6778
CCHK-sales@
cooperindustries.com

**Mexico/Latin America/
Caribbean**

Phone +52-555-804-4000
Fax +52-555-804-4020
mxmercadotecnia@cooperindustries.com

Spain

Phone +34-9-37362710
Fax +34-9-37835055
sales.CCH.es@cooperindustries.com

Middle East (Dubai)

Phone +971-4-427-2522 / 2500
Fax +971-4-429-8521
CHMEsales@Eaton.com

The Netherlands

Phone +31-10-2452145
Fax +31-10-2452121
CHRD_mail@Eaton.com

Norway

Phone +47-32-244600
Fax +47-32-244646
CHLloffice@eaton.com

Singapore:

Phone +65-6645-9888
Fax +65-6297-4819
CHSI-Sales@Eaton.com

Turkey

Phone +90-216-464-20-20
Fax +90-216-464-20-10
infoEGTurkey@eaton.com

Russia

Phone +7-495 510-24-27
Fax +7-495 510-24-28
info@cooper.ru.com
www.cooper-russia.ru

**Eaton
Cooper Crouse-Hinds GmbH**

Neuer Weg – Nord 49
D-69412 Eberbach

Phone +49 (0) 6271/806-500
Fax +49 (0) 6271/806-476
E-mail info-ex@eaton.com
Internet www.crouse-hinds.de



Lim Kim Hai Electric Co (S) Pte Ltd
Lim Kim Hai Building,
53 Kallang Place, Singapore 339177
T (+65) 6292 3711 • (+65) 6490 5000
F (+65) 6297 0078
E customerservice@limkimhai.com.sg
W www.limkimhai.com.sg

Eaton
1000 Eaton Boulevard
Cleveland, OH 44122
United States
Eaton.com

© 2020 Eaton Corporation
All Rights Reserved
Printed in Germany
Publication No. BR 300 8000
04/2023

Changes to the products, to the information contained in this document, and to prices are reserved; so are errors and omissions. Only order confirmations and technical documentation by Eaton is binding. Photos and pictures also do not warrant a specific layout or functionality. Their use in whatever form is subject to prior approval by Eaton. The same applies to Trademarks (especially Eaton, Moeller, and Cutler-Hammer). The Terms and Conditions of Eaton apply, as referenced on Eaton Internet pages and Eaton order confirmations.

Eaton's Crouse-Hinds Business
1201 Wolf Street
Syracuse, NY 13208
(866) 764-5454
CrouseCustomerCTR@Eaton.com

Eaton is a registered trademark.

All other trademarks are property of their respective owners.

